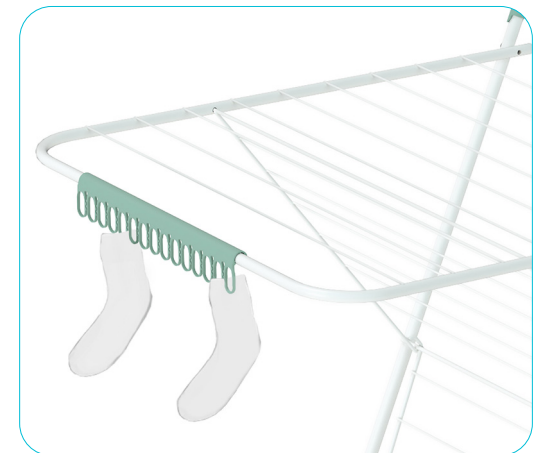
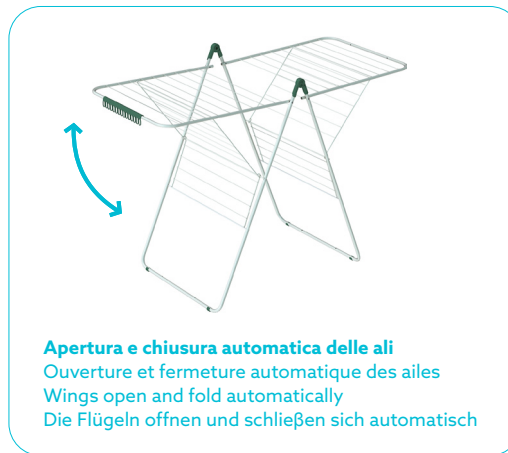
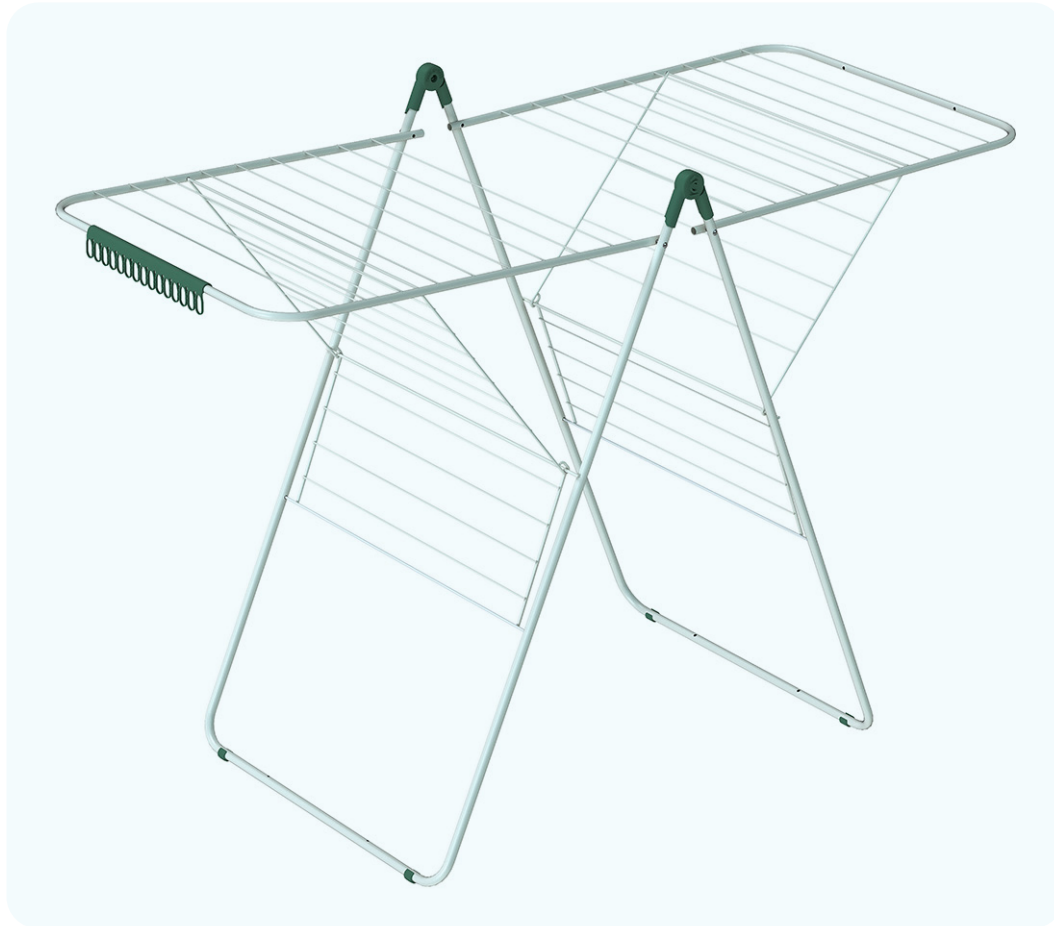




Albatros 25



code ST195/25	EAN 8003186042200	peso kg 3,30	dimensioni cm 136 x 61 x 102	dimensioni cm 61 x 109 x 7,5	carico in pallet pallet loading pcs/pallet 120x80 55	carico sciolto loose loading pcs/ctn 1	vol. ctn mc 0,050	9 kg	25 m	caratteristiche features 	materiale material ACC AL INOX
-------------------------	-----------------------------	---------------------------	---	---	---	--	-----------------------------	------	------	--	---